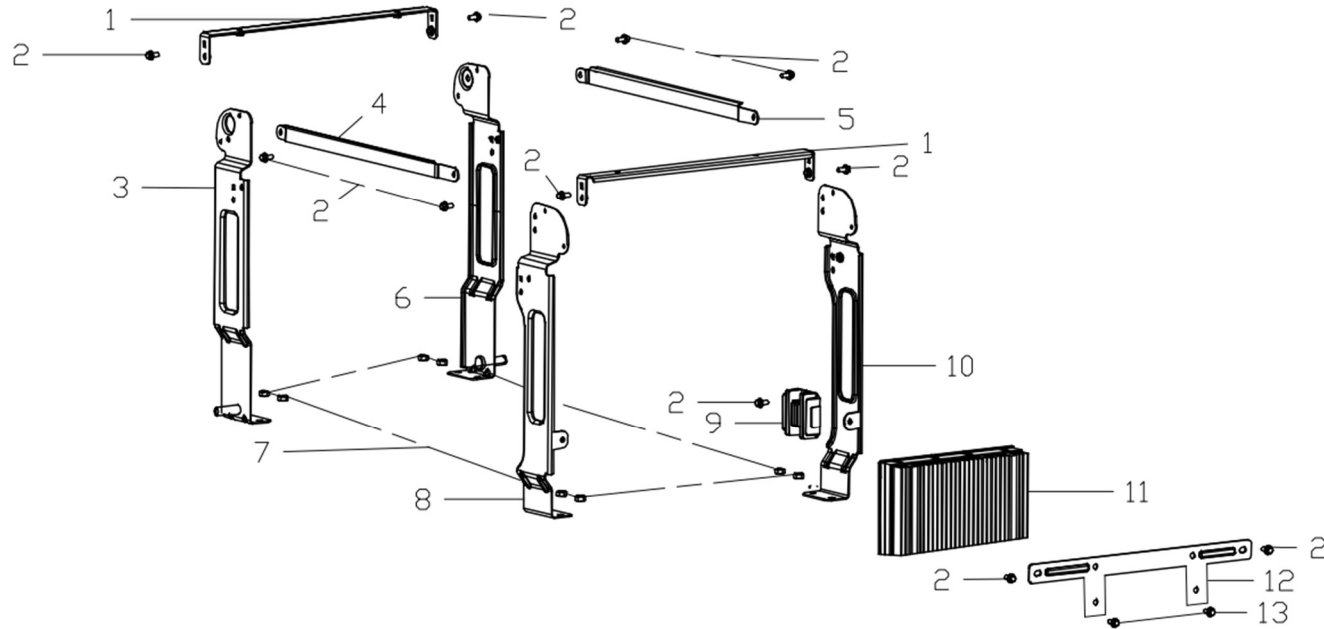


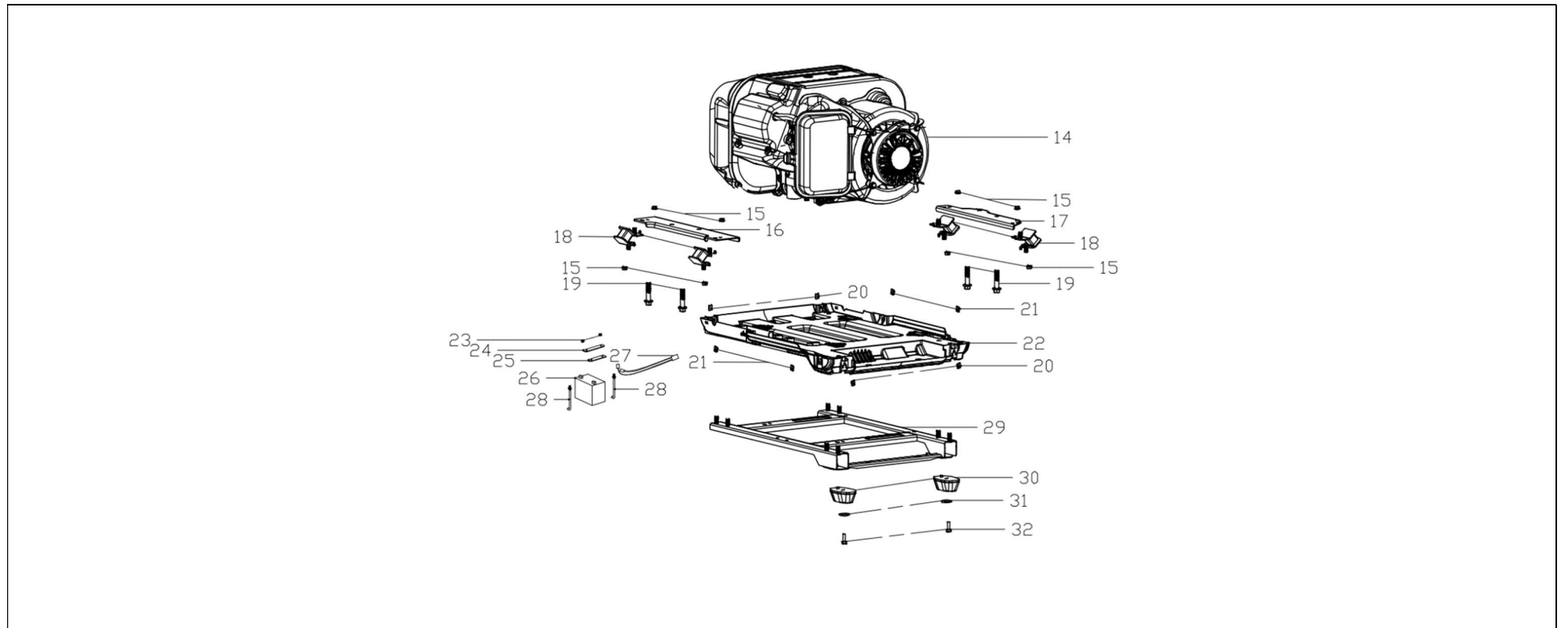
## E-01Frame



NO.	Part NO.	Description		QTY		
		English	Price (USD)	Standard qty	Demand qty	
1	34040-00785-00	Fuel tank front crossbeam		2		
2	30101-00398-00	Hexagon flange bolt M6*12		11		
3	33624-00256-01	Left support column 2		1		
4	34040-00788-00	Fuel tank right crossbeam		1		
5	34040-00787-00	Fuel tank left crossbeam		1		
6	33624-00258-01	Right support column 2		1		

7	30125-00023-00	Hexagonal flange nut M8		8		
8	33624-00255-00	Left support column 1		1		
9	31023-00071-00	DC Regulator		1		
10	33624-00257-00	Right support column 1		1		
11	20136-00532-00	Inverter components		1		
12	33004-00896-00	Inverter mounting bracket		1		
13	30111-00088-00	Cross recessed pan head screw M5*14		2		

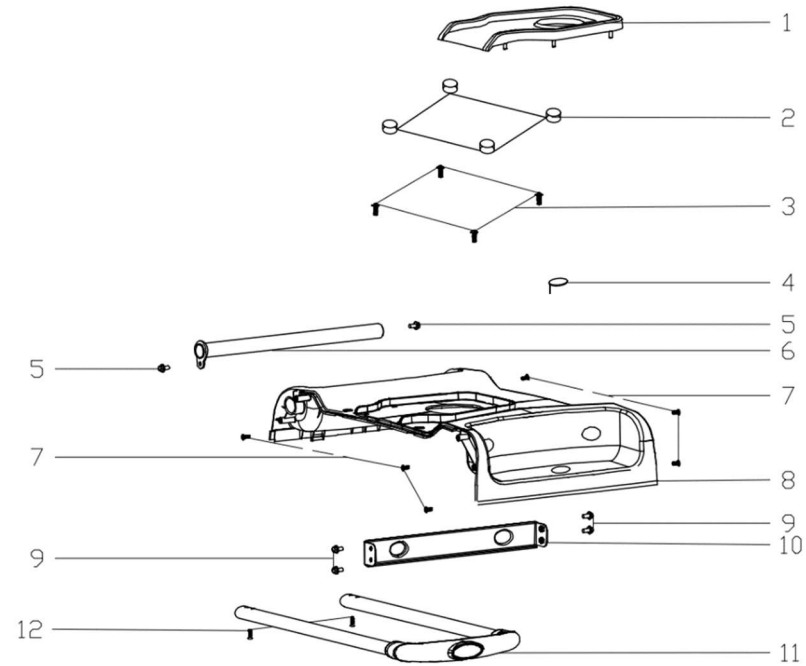
## E-01frame



NO.	Part NO.	Description		QTY	
		English	Price (USD)	Standard qty	Demand qty

14	20260-06498-01	Engine Components		1			
15	30125-00023-00	Hexagonal Flange Nut		8			
16	33089-00409-01	Power mounting plate (left)		1			
17	33089-00410-01	Power mounting plate (right)		1			
18	34030-00257-00	Vibration mount		2			
19	30101-00574-00	Hexagonal flange bolt/M10*25		4			
20	34024-00105-00	Clip nut/M5		4			
21	34024-00085-00	Clip nut/M6		4			
22	33013-01612-00	Base Plate		1			
23	30128-00010-00	Nylon nut		2			
24	20217-00242-00	Battery pressure plate		1			
25	60007-00863-00	sponge		1			
26	31002-00159-00	Battery		1			
27	20196-02980-00	Battery cable		1			
28	33580-00072-00	Special-shaped combination bolts		2			
29	20014-00513-01	Power support frame		1			
30	34030-00229-00	Vibration-damping pads		2			
31	30136-00112-00	Flat washers		2			
32	30101-00405-00	Hexagon flange bolt/M6*20					

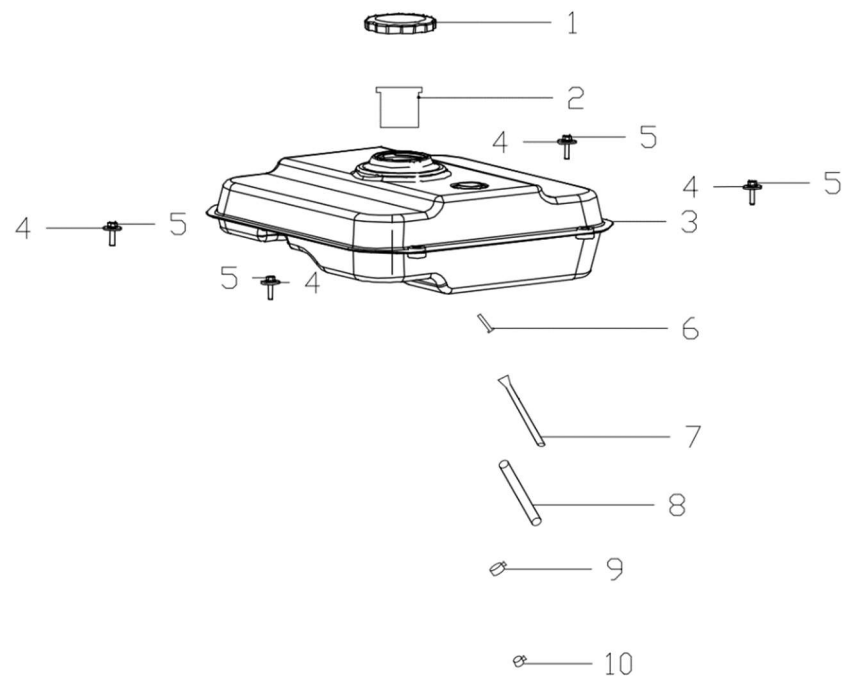
## E-02shell



NO.	Part NO.	Description		QTY			
		English	Price (USD)	Standard qty		Demand qty	
1	33015-00183-00	Fuel tank rubber sleeve		1			
2	33126-00022-00	Plug		4			
3	30111-00088-00	Cross recessed pan head screws		4			

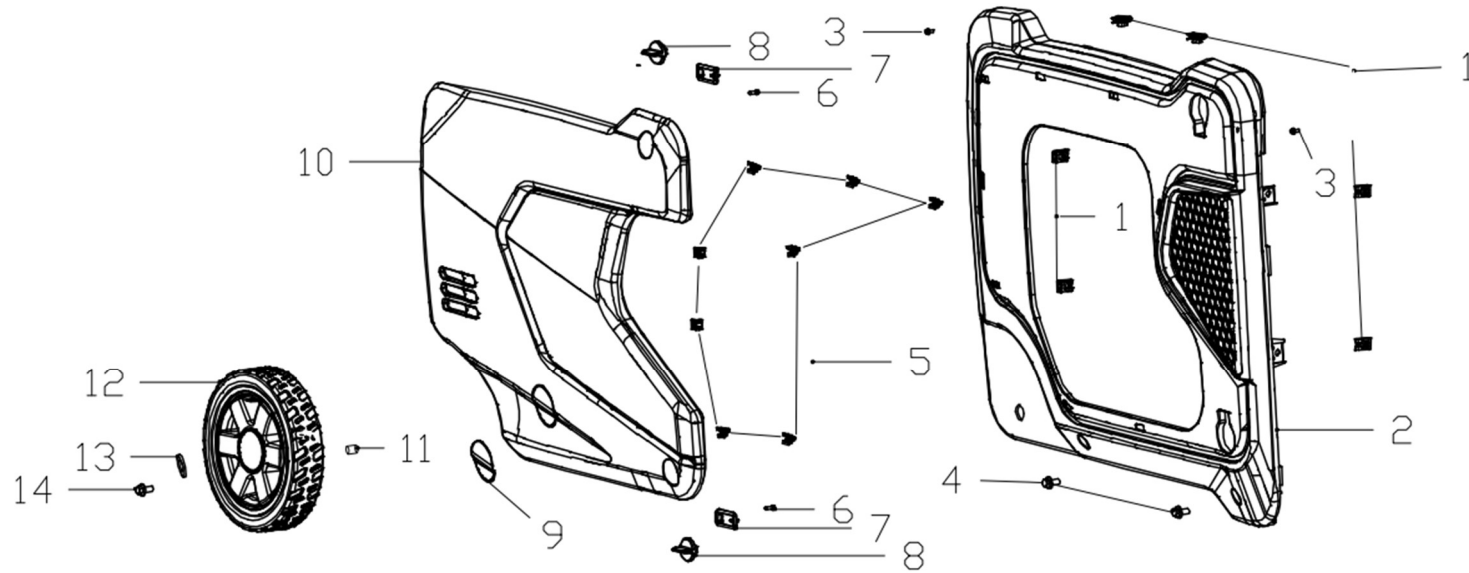
4	33015-00219-00	Key box rubber sleeve		1			
5	30101-00398-00	Hexagon flange bolt/M6*12		2			
6	33706-00188-00	Handrail cross pipe		1			
7	30117-00010-00	Cross recessed pan head self tapping screws		6			
8	33013-00939-00	Upper shell assembly		1			
9	30101-00398-00	Hexagon flange bolt/M6*12		4			
10	34040-00789-00	Tie rod mounting crossbeam		1			
11	20184-00042-02	Tie rod assembly		1			
12	30117-00011-00	Cross recessed pan head self tapping screws		2			

### **E-03 fuel tank**



NO.	Part NO.	Description		QTY			
		English	Price (USD)	STANDARD QTY		Demand qty	
1	20131-00014-00	Fuel tank cap		1			
2	34037-00020-00	Filter		1			
3	20130-00688-00	Fuel tank parts		1			
4	30136-00074-00	Fuel tank gasket		4			
5	30101-00407-00	Hexagon flange bolts		4			
6	34037-00003-00	Filter assembly		1			
7	34023-00379-00	Fuel pipe		1			
8	33015-00100-00	Protective case		1			
9	34024-00003-00	Clamp/B12		1			
10	34024-00207-00	Clamp/B8.5		1			

## E-04 shell

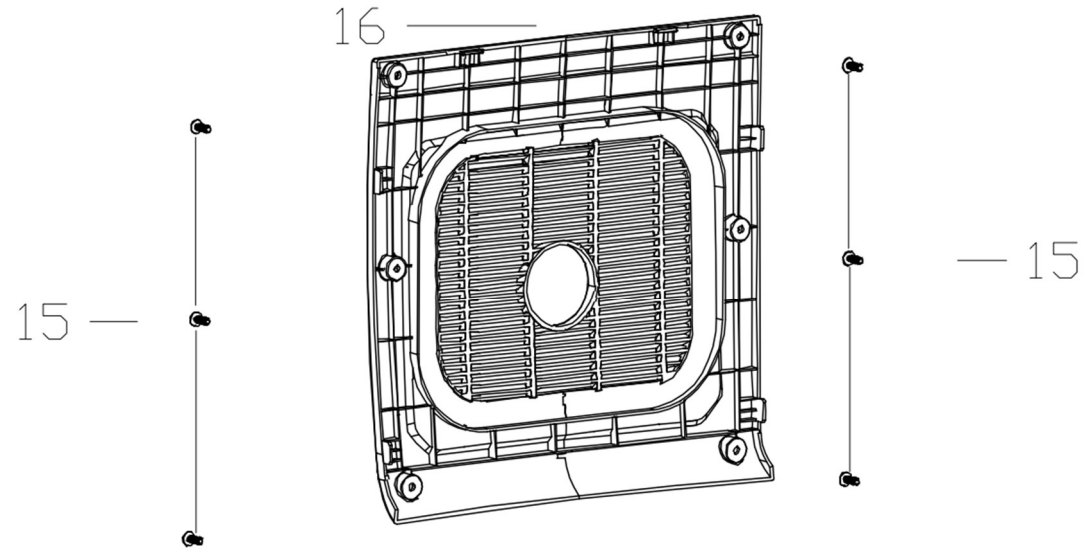


NO.	Part NO.	Description		QTY		
		English	Price (USD)	STANDARD QTY	Demand qty	
1	34024-00105-00	Clip nut/M5		6		
2	33013-00944-00	Left housing assembly		1		
3	30117-00057-00	Cross recessed pan head self tapping screws		2		
4	30101-00398-00	Hexagon flange bolts		2		
5	70009-00317-00	Spring clip		9		
6	30117-00010-00	Cross recessed pan head self tapping screws		2		
7	33593-00445-00	Limit stop		2		

<b>8</b>	31026-00357-00	Switch knob		2			
<b>9</b>	33013-00665-01	Blocking cover		1			
<b>10</b>	33013-00943-01	Left side cover assembly		1			
<b>11</b>	34032-00298-00	bushing		1			
<b>12</b>	20134-00330-00	Wheel parts		1			
<b>13</b>	30136-00074-00	Fuel tank gasket		1			
<b>14</b>	30101-00405-00	Hexagon flange bolts		1			

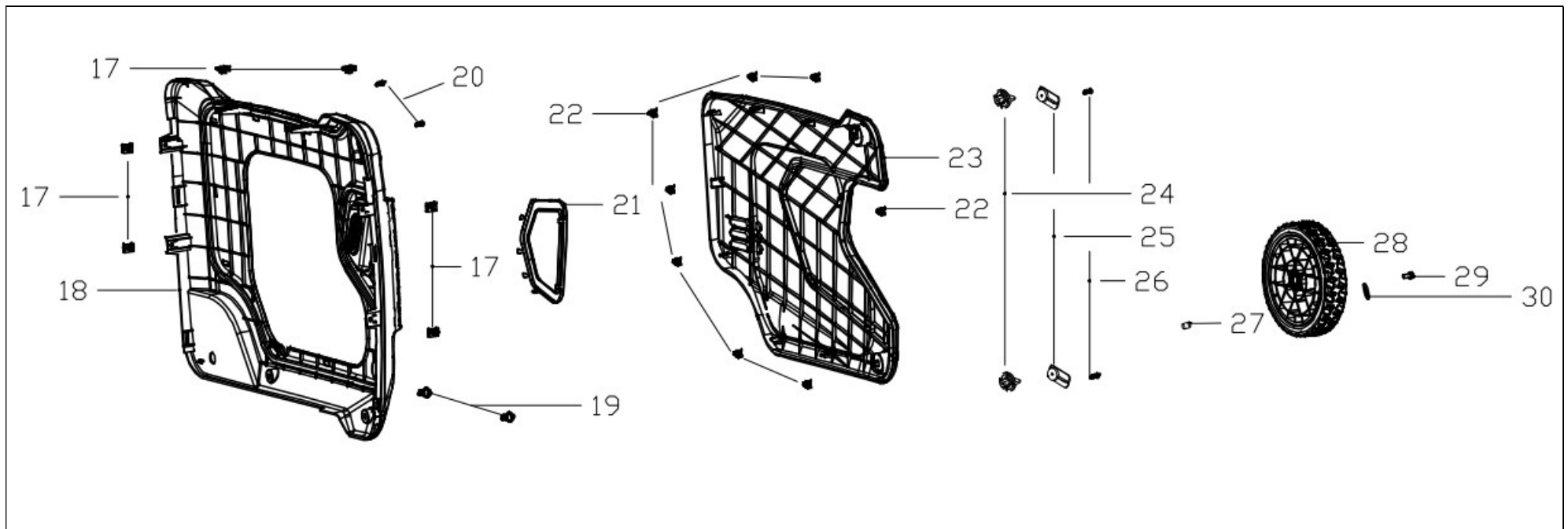
## **E-04 shell**





NO.	Part NO.	Description		QTY			
		English	Price (USD)	STANDARD QTY		Demand qty	
15	30111-00088-00	Cross recessed pan head screws		6			
16	33013-00941-00	Air outlet cover assembly		1			

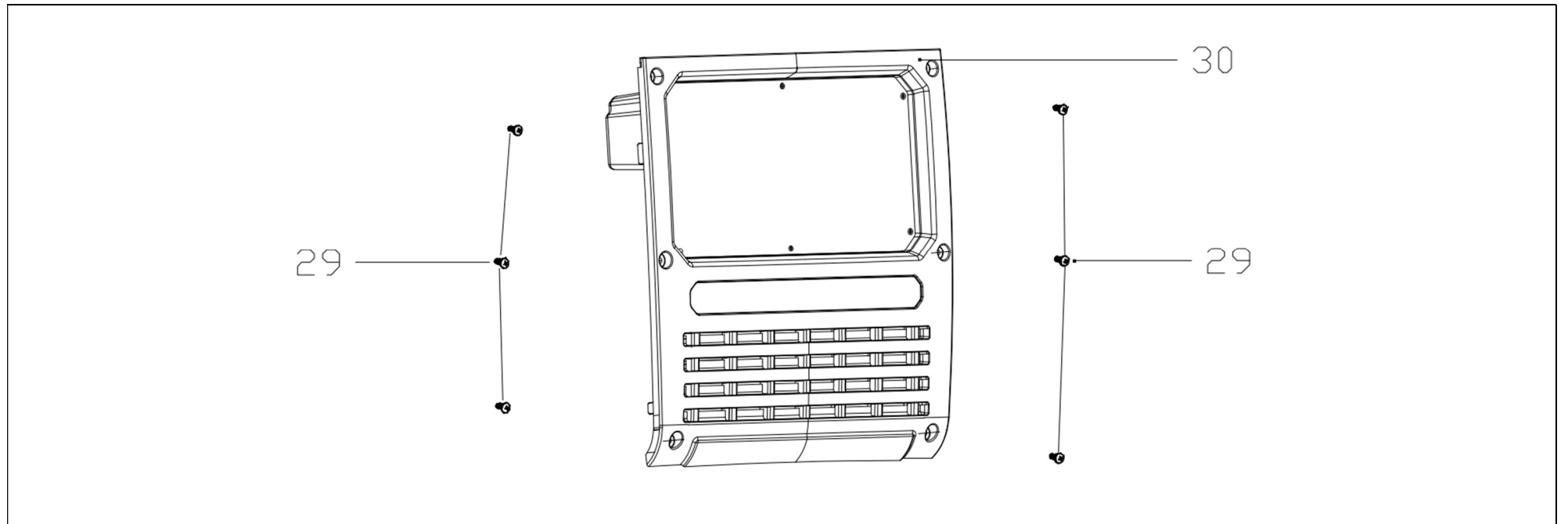
## E-04 shell



NO.	Part NO.	Description		QTY		
		English	Price (USD)	STANDARD QTY		Demand qty
17	34024-00105-00	Clip nut		6		
18	33013-00945-00	Right housing assembly		1		
19	30101-00398-00	Hexagon flange bolt/M6*12		2		
20	30117-00057-00	Cross recessed pan head self tapping screws/ST4.8*20		2		
21	33708-00055-00	Cable handle decorative cover		1		
22	70009-00317-00	Spring clip		8		
23	33013-00942-01	Right side cover assembly		1		
24	31026-00357-00	Switch knob		2		
25	33593-00445-00	Limit stop		2		
26	30117-00010-00	Cross recessed pan head self tapping screws		2		

27	34032-00298-00	bushing		1			
28	20134-00330-00	Wheel parts		1			
29	30101-00405-00	Hexagon flange bolts		1			
30	30136-00074-00	Fuel tank gasket		1			

#### E-04 shell



NO.	Part NO.	Description		QTY			
		English	Price (USD)	STANDARD QTY		Demand qty	
29	30111-00088-00	Cross recessed pan head screws		6			
30	20114-08169-00	Control panel assembly		1			